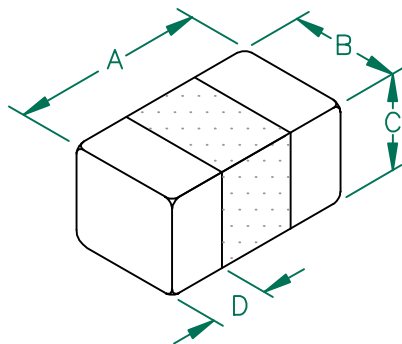


LI0402D121R-10

UNCONTROLLED DOCUMENT

PHYSICAL DIMENSIONS:

A	1.01 [.040]	+ .018	-.007
B	0.50 [.020]	+ .020	-.008
C	0.50 [.020]	+ .020	-.008
D	0.30 [.012]	+ .012	MAX.



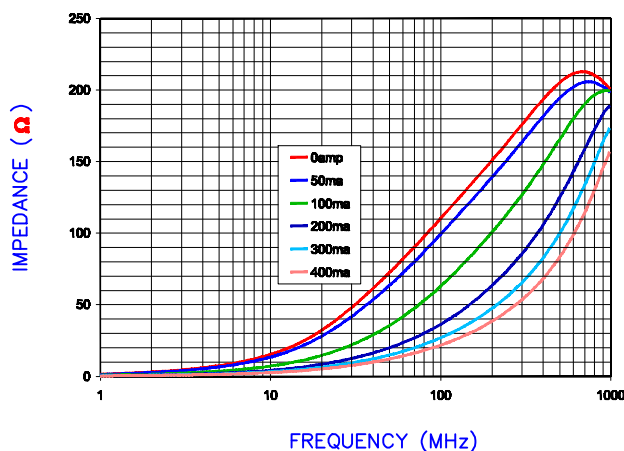
ELECTRICAL CHARACTERISTICS:

	Z @ 100MHz (Ω)	DCR (Ω)	Rated Current
Nominal	120		
Minimum	90		
Maximum	150	0.40	400 mA

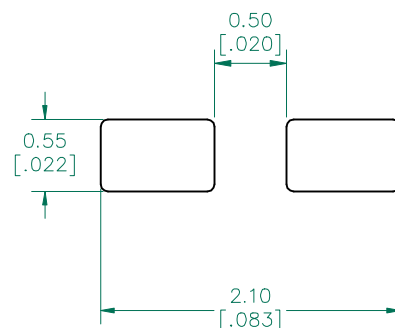
NOTES: UNLESS OTHERWISE SPECIFIED

1. TAPED AND REELED per CURRENT EIA SPECIFICATIONS 7" REELS, 10,000 PCS/REEL, PAPER TAPE.
2. TERMINATION FINISH IS 100% TIN.
3. COMPONENTS SHOULD BE ADEQUATELY PREHEATED BEFORE SOLDERING.

Z vs FREQUENCY
IMPEDANCE UNDER DC BIAS

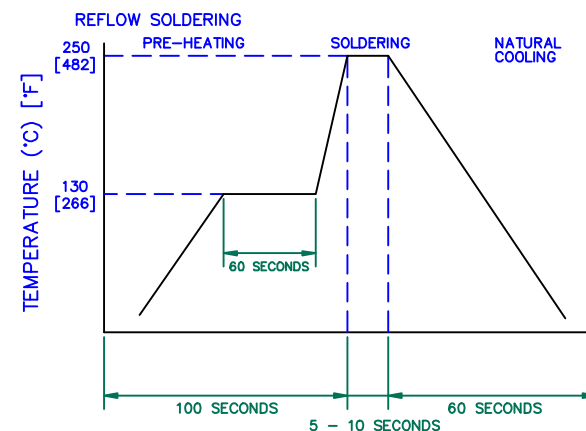


LAND PATTERNS FOR REFLOW SOLDERING

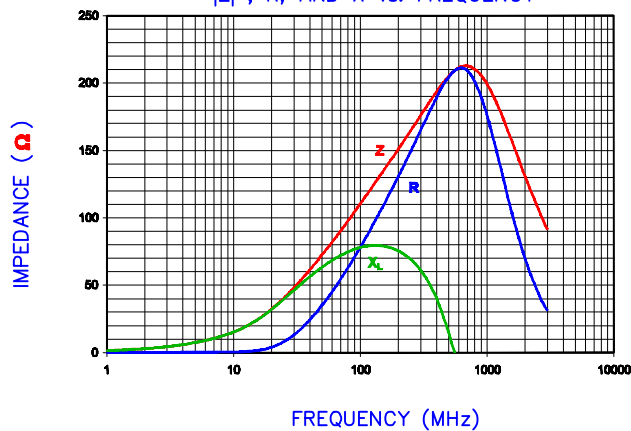


(For wave soldering, add 0.762 [.030] to this dimension.)

RECOMMENDED SOLDERING CONDITIONS



|Z|, R, AND X vs. FREQUENCY



Z **R** **X_L**

AGILENT E4991A RF Impedance/Material Analyzer
HP 16194A Test Fixture. TEST REF. 3298



DIMENSIONS ARE IN mm [INCHES].

This print is the property of Laird Tech. and is loaned in confidence subject to return upon request and with the understanding that no copies shall be made without the written consent of Laird Tech. All rights to design or invention are reserved.



D	UPDATE COMPANY LOGO	07/08/08	JRK	PROJECT/PART NUMBER:	REV	PART TYPE:	DRAWN BY:
C	CHG REEL QTY ADD PAPER TAPE TO NOTE #1 UPDATE COMPANY LOGO	12/14/07	JRK	LI0402D121R-10	D	CO-FIRE	TMB
B	CORRECT REF # FROM 3289 TO 3298	07/22/05	JRK	DATE:	SCALE:	NTS	SHEET:
A	ORIGINAL DRAFT	04/05/04	TMB	04/05/04			
REV	DESCRIPTION	DATE	INT	CAD #	TOOL #		2 of 2
				LI0402D121R-10-D	-		